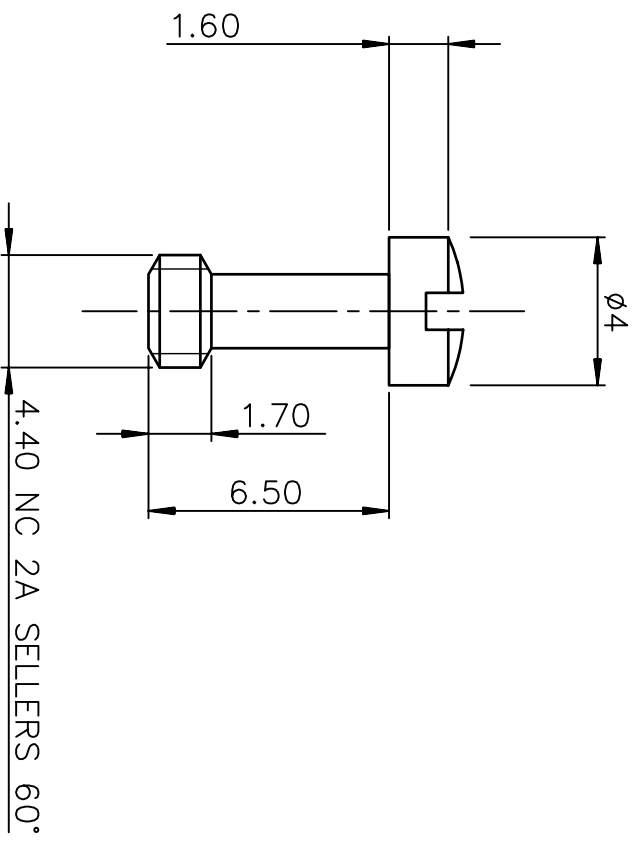
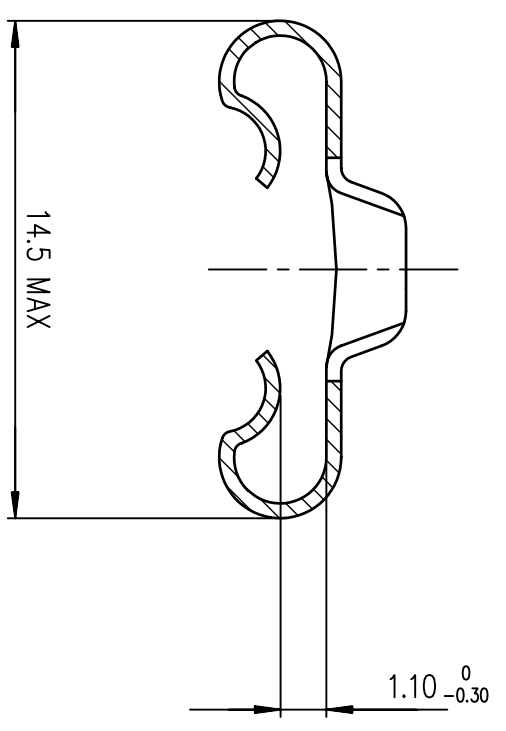
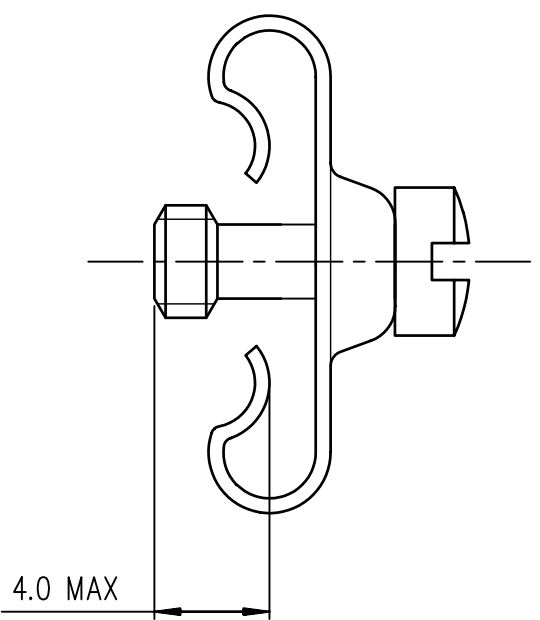


**NOTES**  
 Pieces assembly  
 Packaging : per 100 piece  
 Material : steel  
 Plating : yellow chromate cadmium  
 Thread : UNC 4.40



ASSEMBLY VIEW



Part Number  
 863005A

European Views

| rev | ecn no      | dr  | date       |
|-----|-------------|-----|------------|
| A   | -           | SJO | 1998/03/27 |
| B   | LS06-0101   | MPE | 2006/06/27 |
| C   | LS06-0001   | MPE | 2007/01/02 |
| D   | LS09-0006   | PCR | 2009/01/08 |
| E   | I11-0022    | AMR | 2011/01/25 |
| F   | ELX-H-01683 | PK  | 2012/05/09 |
| G   | ELX-H-01686 | PK  | 2012/05/21 |

|                    |          |                         |                |               |                  |               |              |
|--------------------|----------|-------------------------|----------------|---------------|------------------|---------------|--------------|
| www.fciconnect.com |          | surface                 | ISO 1302       | tolerance std | ISO 406 ISO 1101 | projection    | mm           |
| Dr                 | JOUBERT  | 1998/03/27              | ANGULAR        | 0.X           | ±0.1             | size          | A3           |
| Eng                | M.PESSON | 1998/03/27              | LINEAR         | 0.XX          | ±0.1             | Scale         | 5            |
| Chr                | ABHILASH | 2011/01/25              | 0.XX ±2        | 0.XXX         | ±0.1             | ECN           | ELX-H-011686 |
| Appr               | SUDHIR   | 2011/01/25              | Product family |               | D-SUB            | Spec ref      | -            |
| FCI                |          | MALE SCREW FOR HOUSINGS |                | Dwg no        |                  | C01-8655-0711 |              |
| catalog no         |          | 9 TO 25 PTS (P ET S)    |                | CUSTOMER      |                  | sheet 1 of 1  |              |
| Rev.               |          | G                       |                | Rev.          |                  | G             |              |